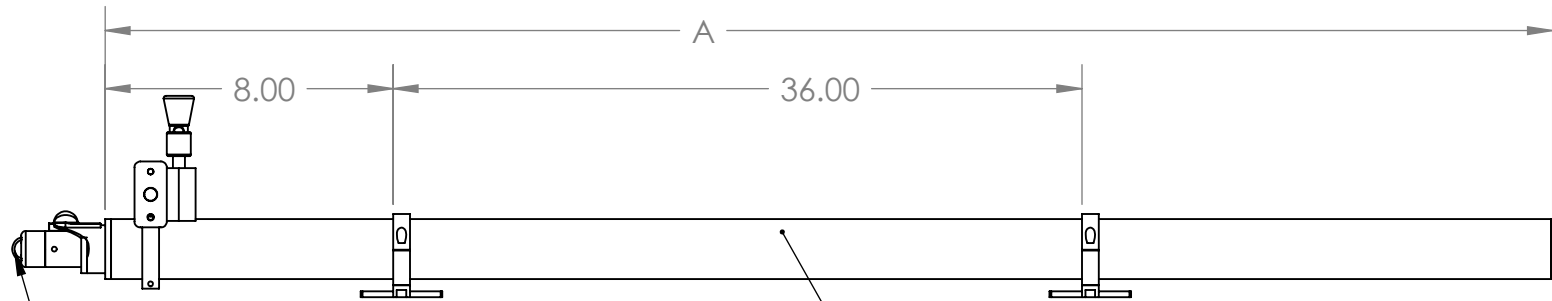


For stability - mounting clamps should be spaced 30-36" apart



Allow approximately 6-8 inches from face of shade for crossbars and roller

A Dimension:
5 Ft Extension = 54" Length
6 Ft Extension = 60" Length

PROPRIETARY AND CONFIDENTIAL
THE INFORMATION CONTAINED IN THIS DRAWING IS THE SOLE PROPERTY OF RODAN ENTERPRISES, LLC. ANY REPRODUCTION IN PART OR AS A WHOLE WITHOUT THE WRITTEN PERMISSION OF RODAN ENTERPRISES, LLC IS PROHIBITED.

		UNLESS OTHERWISE SPECIFIED:		NAME	DATE
		DIMENSIONS ARE IN INCHES	DRAWN		
		TOLERANCES:	CHECKED		
		FRACTIONAL ±	ENG APPR.		
		ANGULAR: MACH ± BEND ±	MFG APPR.		
		TWO PLACE DECIMAL ±	Q.A.		
		THREE PLACE DECIMAL ±	COMMENTS:		
		INTERPRET GEOMETRIC TOLERANCING PER:			
		MATERIAL			
		FINISH			
NEXT ASSY	USED ON				
APPLICATION		DO NOT SCALE DRAWING			

TITLE:		
SureShade MTF2		
SIZE	DWG. NO.	REV
A	SS-MTF2	
SCALE: 1:16	WEIGHT:	SHEET 1 OF 1