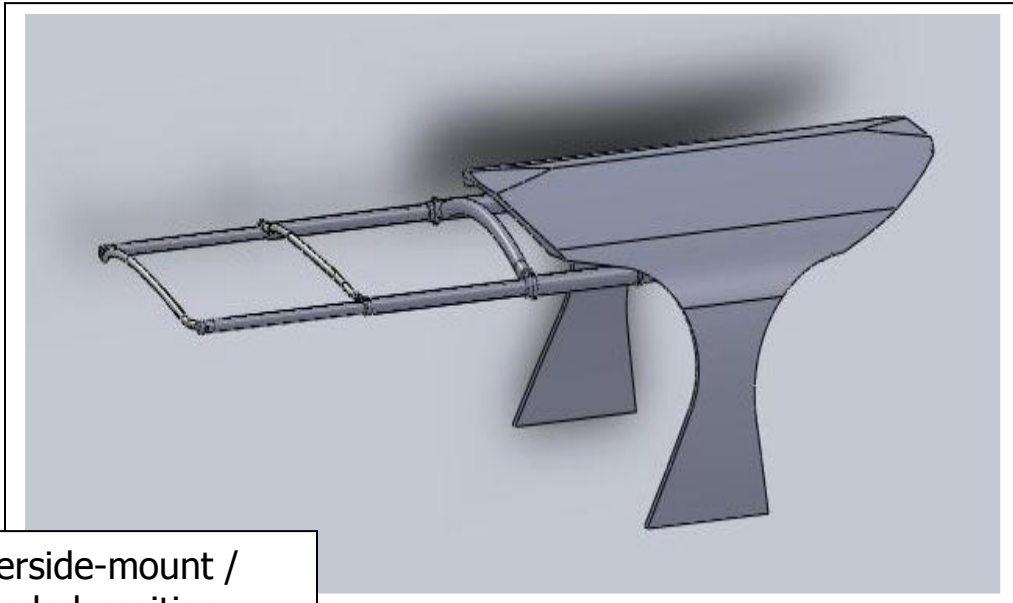




Hassle-Free Shade *On-Demand*®

PO Box 51294, Philadelphia, PA 19115 • Phone: 877.333.8323 • www.sureshade.com

SureShade Proposed Placement
Hardtop – Underside Mount



Underside-mount /
extended position.